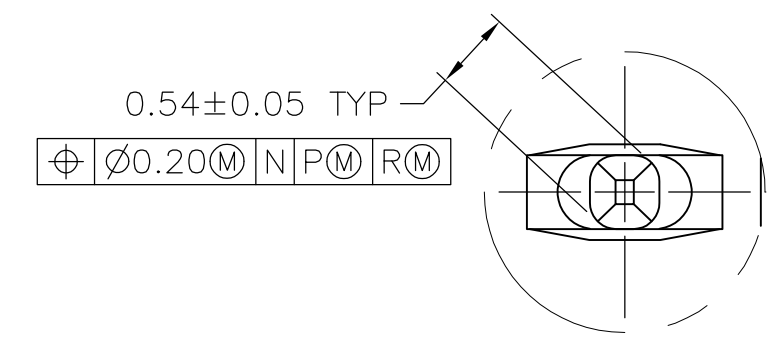


RECOMMENDED CIRCUIT PATTERN
PER IPC-D300 TYPE II, CLASS C
(COMPONENT SIDE)

- 1 HOUSING MATERIAL: LIQUID CRYSTAL POLYMER PER ASTM D5138 LCP000 G30A 32250.
- 2 CONTACT MATERIAL: PHOSPHOR BRONZE.
- 3 CONTACT FINISH:
UNDERPLATE (ENTIRE CONTACT):
0.00127 MIN NICKEL PER SAE-AMS-QQ-N-290.
ON MATING SURFACES:
CONFORMS TO ALL TESTING SPECIFIED FOR TELCORDIA UNCONTROLLED ENVIRONMENT.
ON LEADS
0.0006 MIN TIN PER ASTM B 545 OVER UNDERPLATE.
LUBRICATION (MIN MATING SURFACES):
SURFACE CONDITIONER AFTER PLATING.
- 4 PART MARKING, LOCATED APPROXIMATELY AS SHOWN.
- 5 DIMENSION APPLIES WHEN SEATED ON PRINTED CIRCUIT BOARD.
- 6 OBSOLETE PARTS: OBSOLETE CIS STREAMLINING PER D.RENAUD/D.SINISI



DETAIL Z
SCALE 20:1

OBSOLETE	D	C	B	A	FINISH	NO OF POSN	PART NUMBER
6	4.25	58.00	29	59.88	3	120	5536514-6
	4.25	72.00	35	71.88	3	144	5536514-5
	4.25	94.00	47	95.88	3	192	5536514-4
	4.25	46.00	23	47.88	3	96	5536514-3
	4.25	22.00	11	23.88	3	48	5536514-2
	4.25	10.00	5	11.88	3	24	5536514-1

THIS DRAWING IS A CONTROLLED DOCUMENT.

DIMENSIONS:	TOLERANCES UNLESS OTHERWISE SPECIFIED:	DWN B. MCMASTER 31AUG04	CHK R. WERTZ 31AUG04	APVD R. WERTZ 31AUG04	NAME	
mm	0 PLC ± -				PIN ASSEMBLY, SIGNAL MODULE, Z-PACK 2mm FB	
	1 PLC ± 0.13				2mm, 4 ROW, 5.00 mm MATING LENGTH	
	2 PLC ± -				PRESS FIT LEAD	
	3 PLC ± -					
	4 PLC ± -					
	ANGLES ± -					
MATERIAL	FINISH	WEIGHT	SIZE	CAGE CODE	DRAWING NO	RESTRICTED TO
1	2		A1	00779	C=5536514	
	3					

CUSTOMER DRAWING SCALE 4:1 SHEET 1 OF 1 REV P